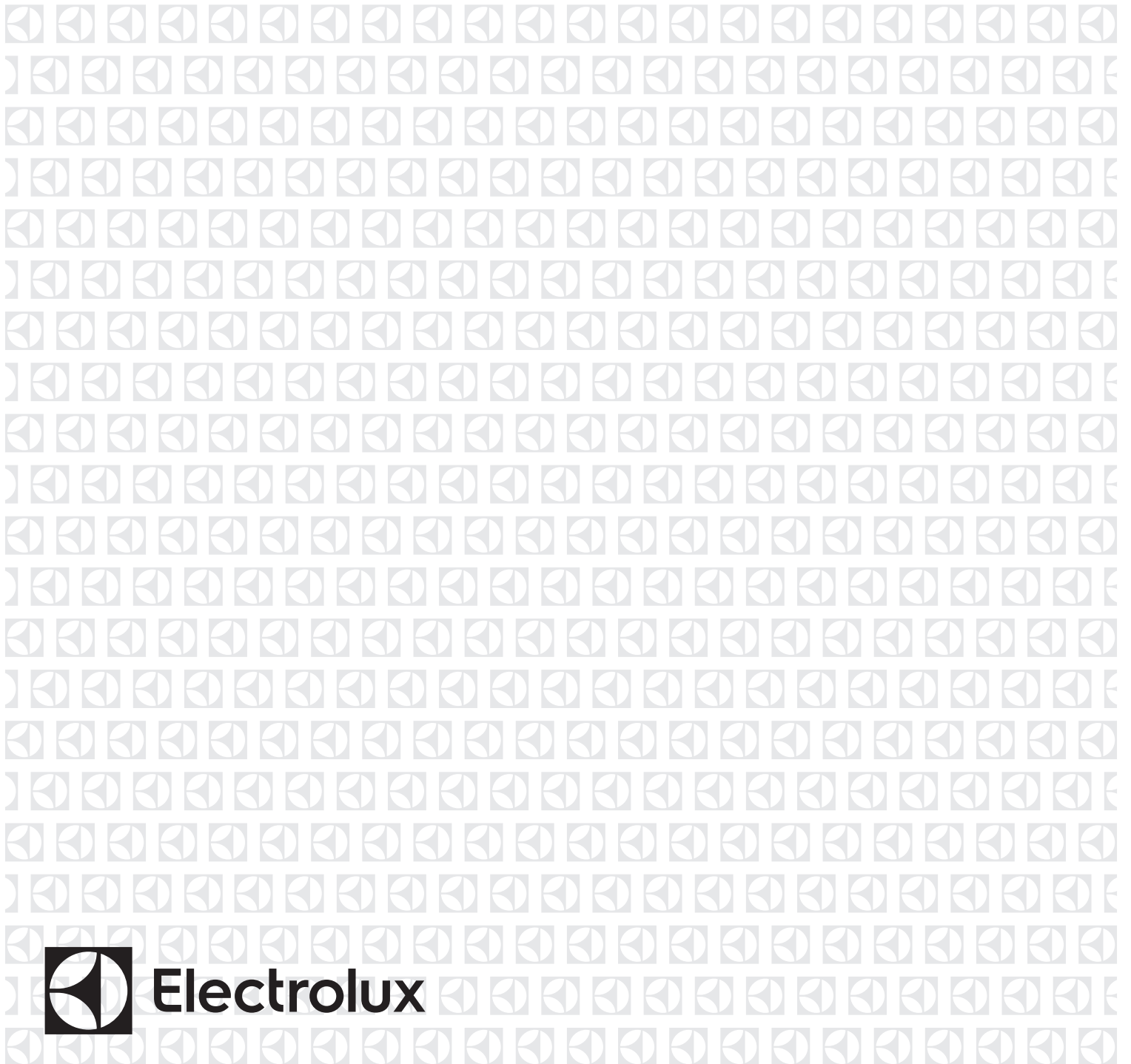


EMG20K38GWP



Freestanding microwave
KOR 전자 레인지

Installation & User manual
설치 & 사용자 매뉴얼



WE'RE THINKING OF YOU

Thank you for purchasing an Electrolux appliance. You've chosen a product that brings with it decades of professional experience and innovation. Ingenious and stylish, it has been designed with you in mind. So whenever you use it, you can be safe in the knowledge that you'll get great results every time. Welcome to Electrolux.

BEFORE USING YOUR APPLIANCE

Check for any damage or marks. If you find the appliance damaged or marked you must report it within 7 days to claim for damages under the manufacturers warranty. This does not affect your statutory rights.

Before you use the appliance, we recommend that you read through the whole user manual which provides the description of the product and its functions. It is important that the product is installed correctly and that you read the safety instructions carefully to avoid misuse and hazards.

For future reference, please store this booklet in a safe place.

CONDITIONS OF USE

This appliance is intended to be used in household and similar applications such as:

- Staff kitchen areas in shops, offices and other working environments.
- Farm houses.
- By clients in hotels, motels and other residential type environments.
- Bed and breakfast type environments.

BEFORE YOU CALL

Please ensure you read the instruction manual fully before you call for service, or a full service fee could be applicable.

RECORD MODEL AND SERIAL NUMBER HERE:

Model: _____

Serial No: _____

IMPORTANT INFORMATION THAT MAY IMPACT YOUR MANUFACTURER'S WARRANTY

Adherence to the directions for use in this manual is extremely important for health and safety. Failure to strictly adhere to the requirements in this manual may result in personal injury, property damage and affect your ability to make a claim under the Electrolux manufacturer's warranty provided with your product. Products must be used, installed and operated in accordance with this manual. You may not be able to claim on the Electrolux manufacturer's warranty in the event that your product fault is due to failure to adhere this manual.

CONTENTS

- General warnings.....3
- Safety instructions4
- Product description5
- Accessories.....5
- Control panel.....5
- Daily use.....6
- Using the accessories.....8
- Helpful hints and tips8
- Care and cleaning.....9
- Troubleshooting9
- Installation10
- Electrical Installation11
- Customer care center11

SYMBOLS



WARNING!

This symbol indicates information concerning your personal safety.



CAUTION!

This symbol indicates information on how to avoid damaging the appliance.



IMPORTANT!

This symbol indicates tips and information about use of the appliance.



ENVIRONMENT!

This symbol indicates tips and information about economical and ecological use of the appliance.

INFORMATION ON DISPOSAL FOR USERS



ENVIRONMENT!

- Most of the packaging materials are recyclable. Please dispose of these materials through your local recycling depot or by placing them in appropriate collection containers.
- If you wish to discard this product, please contact your local authorities and ask for the correct method of disposal.

GENERAL WARNINGS

Important safety instructions, read carefully and keep for future reference. Pass the user manual on to possible new owners of the appliance.

NOTE! You must read these warnings carefully before installing or using the appliance. If you need assistance, contact your Customer Care Department. The manufacturer will not accept liability, should these instructions or any other safety instructions incorporated in this book be ignored.

Children and vulnerable people safety.

WARNING!

Risk of suffocation, injury or permanent disability.

- This appliance is not intended for use by persons (including children) with reduced physical, sensory or mental capabilities, or lack of experience and knowledge, unless they have been given supervision or instruction concerning use of the appliance by a person responsible for their safety.
- Children should be supervised to ensure that they do not play with the appliance.
- Keep all packaging away from children.
- If the appliance has a child safety device, we recommend that you activate it if children are present.
- **WARNING:** Accessible parts may become hot during use. Young children should be kept away.

CAUTION!

Important safety instructions, read carefully and keep for future reference.

General safety

- Internally the appliance becomes hot when in operation. Do not touch the heating elements that are in the appliance. Always use oven gloves to remove or put in accessories or ovenware.
- Do not use a steam cleaner to clean the appliance.
- Before maintenance isolate the power supply.
- If the door or door seals are damaged, the appliance must not be operated until it has been repaired by a competent person.
- The appliance is not intended to be operated by means of an external timer or separate remote-control system.
- Only a competent person can carry out any service or repair operation that involves the removal of a cover which gives protection against exposure to microwave energy.
- Do not heat liquids and other foods in sealed containers. They are liable to explode.
- Only use utensils that are suitable for use in microwave ovens.

- When heating food in plastic or paper containers, keep an eye on the appliance due to the possibility of ignition.
- The appliance is intended for heating food and beverages. Drying of food or clothing and heating of warming pads, slippers, sponges, damp cloth and similar may lead to risk of injury, ignition or fire.
- If smoke is emitted, switch off or unplug the appliance and keep the door closed in order to stifle any flames.
- Microwave heating of beverages can result in delayed eruptive boiling. Care must be taken when handling the container.
- The contents of feeding bottles and baby food jars should be stirred or shaken and the temperature checked before consumption, in order to avoid burns.
- Eggs in their shell and whole hard-boiled eggs should not be heated in the appliance since they may explode, even after microwave heating has ended.
- The appliance should be cleaned regularly and any food deposits removed.
- Failure to maintain the appliance in a clean condition could lead to deterioration of the surface that could adversely affect the life of the appliance and possibly result in a hazardous situation.
- The temperature of accessible surfaces may be high when the appliance is operating.
- This appliance is designed for freestanding application. It must not be installed behind a decorative door or installed in an enclosed cupboard. Please follow the installation requirements in this manual.
- Do not use harsh abrasive cleaners or sharp metal scrapers to clean the glass door since they can scratch the surface, which may result in shattering of the glass.
- If the supply cord is damaged, it must be replaced by the manufacturer or an authorised service agent or similarly qualified persons in order to avoid a hazard.

CAUTION!

In order to avoid a hazard due to inadvertent resetting of the thermal cut-out, this appliance must not be supplied through an external switching device, such as a timer, or connected to a circuit that is regularly switched on and off by the utility.

WARNING!

Ensure that the appliance is switched off before replacing the lamp to avoid the possibility of electric shock.

WARNING!

If there are manufacturing or oil remains on the enclosure or heating element, smoke or odour might occur during the beginning operation.

This is normal and will cease after repeated use. We strongly recommend proceeding as follows:

- Turn on the grill mode and let the appliance operate several times without food to be cooked.
- Ensure sufficient ventilation.

SAFETY INSTRUCTIONS

Installation

WARNING!

Only a qualified person must install this appliance.

- Remove all the packaging.
- Do not install or use a damaged appliance.
- Obey the installation instructions supplied with the appliance.
- Always be careful when you move the appliance because it is heavy. Always wear safety gloves.
- Keep the minimum distance from the other appliances and units.

Electrical connection

WARNING!

Risk of fire and electrical shock.

- This appliance is supplied with a power cord and 10A power plug suitable for connection to standard 10A power socket. If a power socket needs to be installed, it must be done by a suitably qualified electrician.
- The appliance must be earthed.
- Make sure that the electrical information on the rating plate agrees with the power supply. If not, contact an electrician.
- Connect the mains plug to the mains socket only at the end of the installation. Make sure that there is access to the mains plug after the installation.
- Make sure not to cause damage to the mains plug and to the mains cable. Contact the Service Centre or an electrician to change a damaged mains cable.
- Do not pull the mains cable to disconnect the appliance. Always pull the mains plug.

Use

WARNING!

Risk of injury, burns or electric shock or explosion.

- Use this appliance in a household environment.
- Do not change the specification of this appliance.
- Make sure that the ventilation openings are not blocked.
- Do not leave the appliance unattended during operation.
- Do not apply pressure on the open door.
- Do not use the appliance as a work surface and do not use the cavity for storage purposes.
- Do not operate appliance without food.
- Metallic containers for food and beverages are not allowed during microwave cooking.

Care and cleaning

WARNING!

Risk of injury, fire or damage to the appliance.

- Before maintenance, deactivate the appliance and disconnect the mains plug from the mains socket.
- Regularly clean the appliance to prevent the deterioration of the surface material.
- Do not allow food spills or cleaner residue to accumulate on door sealing surfaces.
- Remaining fat or food in the appliance can cause smoke/fire, particularly on the grill element.
- Clean the appliance with a moist soft cloth. Only use neutral detergents. Do not use abrasive products, abrasive cleaning pads, solvents or metal objects.
- Do not use a steam cleaner to clean this appliance.

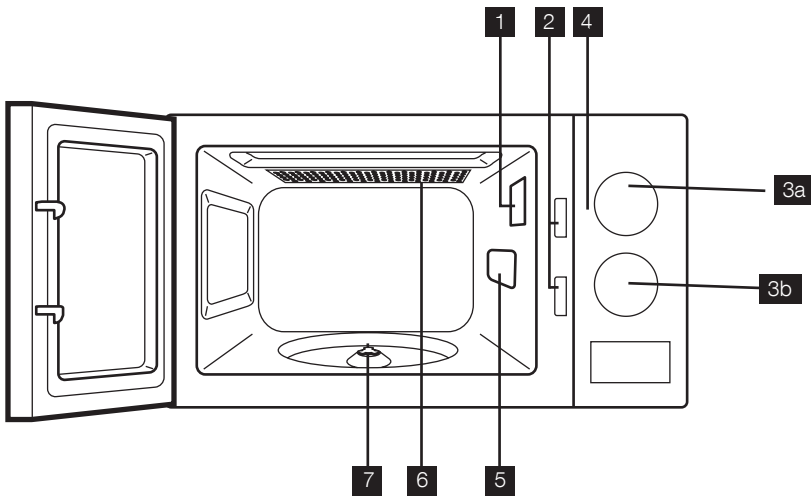
Disposal

WARNING!

Risk of injury or suffocation.

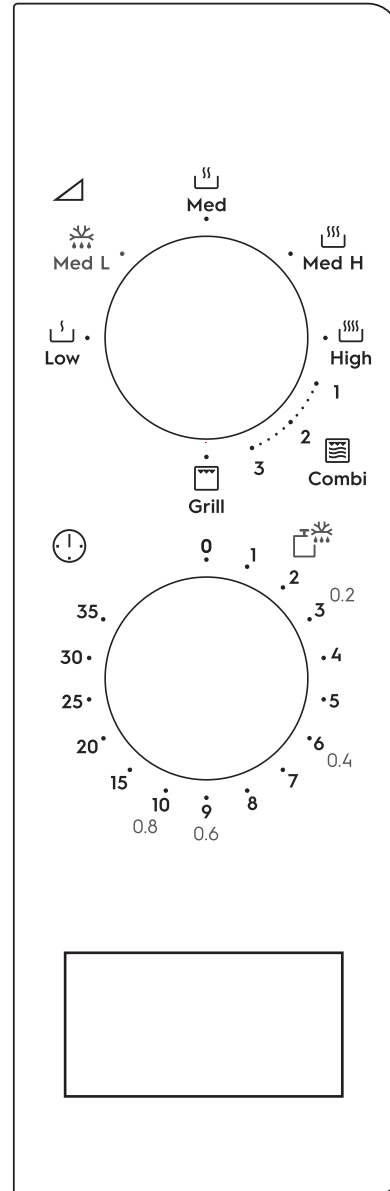
- Disconnect the appliance from the mains supply.
- Cut off the mains cable and discard it.

PRODUCT DESCRIPTION



- 1** Lamp
- 2** Safety Interlock system
- 3a** Power level Knob
- 3b** Timer Knob
- 4** Control panel
- 5** Brown mica cover
- 6** Grill
- 7** Turntable shaft

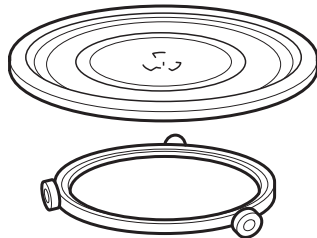
CONTROL PANEL



ACCESSORIES

Turntable set

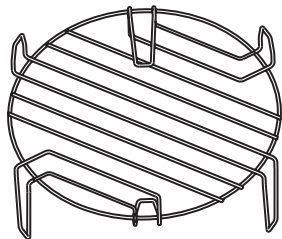
Glass cooking tray and roller guide.



Always use the turntable set to prepare food in the appliance.

Grill rack

For grilling food and combi cooking.



! WARNING!

The wire grill rack is not suitable for use on microwave only mode, it can be used on grill, convection and combi (includes short burst of microwave, which is ok) cooking modes only. Using this wire grill rack on microwave only mode may cause damage to the appliance.

DAILY USE

Suitable cookware and materials

| Cookware / Material | Microwave | | | Grilling/ Convection |
|---|------------|---------|---------|-------------------------|
| | Defrosting | Heating | Cooking | |
| Ovenproof glass and porcelain (with no metal components, e.g. Pyrex, heat-proof glass) | ■ | ■ | ■ | ■ |
| Non-ovenproof glass and porcelain ¹⁾ | ■ | -- | -- | -- |
| Glass and glass ceramic made of ovenproof / frost-proof material (e.g. Arcoflam), grill shelf | ■ | ■ | ■ | ■ |
| Ceramic ²⁾ , earthenware ²⁾ | ■ | ■ | ■ | -- |
| Heat-resistant plastic up to 200°C ³⁾ | ■ | ■ | ■ | -- |
| Cardboard, paper | ■ | -- | -- | -- |
| Clingfilm | ■ | -- | -- | -- |
| Roasting film with microwave safe closure ³⁾ | ■ | ■ | ■ | -- |
| Roasting dishes made of metal, e.g. enamel, cast iron | -- | -- | -- | ■ |
| Baking tins, black lacquer or silicon coated ³⁾ | -- | -- | -- | ■ |
| Baking tray | -- | -- | -- | ■ |
| Browning cookware, e.g. Crisp pan or Crunch plate | -- | ■ | ■ | -- |
| Ready meals in packaging ³⁾ | ■ | ■ | ■ | ■ |

1) With no silver, gold, platinum or metal plating / decorations.

2) Without quartz or metal components, or glazes which contain metals.




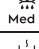

3) You must follow the manufacturer's instructions about the maximum temperatures.

■ suitable


-- not suitable

DAILY USE (CONTINUED)

Power setting tables

| | | |
|---|-------------------|------------------|
|  High | 100% power output | (Quick cooking) |
|  Med H | 77% power output | (Normal cooking) |
|  Med | 55% power output | (Slow cooking) |
|  Med L | 33% power output | (Defrost food) |
|  Low | 17% power output | (Keep warm) |

Defrosting

1. Turn the knob to  Med L .
2. Select suitable time.

Note: If desired time is less than 3 minutes, turn the timer knob to over 3 minutes position and then turn back to the desired time setting.

3. Once the desired time is set, the cooking begins. If pausing in between is needed, just open the door at any time, and close it to resume operation.



4. When it times out and cooking ends, the microwave oven produces a bell ring, the inside lamp will also be automatically turned off.

Note: If food is removed before time out, make sure to set back the timer to "0" position, this avoids the microwave oven from operating in empty load.

Below is some food defrosting time advice:

| | Weight | Defrost time |
|----------|-----------|--------------|
| Meat | 0.1~1.0kg | 1:30~26:00 |
| Poultry | 0.2~1.0kg | 2:30~22:00 |
| Sea food | 0.1~0.9kg | 1:30~14:00 |

Grill or Combi Cooking

1. Turn the knob to  Combi /  Grill .
2. Select suitable time.

Power level setting:

1. Grill: Cooked by heating tube during cooking, suitable for roast sausage, chicken wings, pork ribs, meat and other thin pieces.

2. Combi 1: Microwave and heating tube grill alternately, the heating tube grill time is 82%, suitable for grilled ribs, sandwiches, etc.

Combi 2: The microwave and the heating tube grill alternately, and the heating tube has a grilling time of 71%, which is suitable for roasting whole chicken or meat.

Combi 3: Microwave and heating tube grill alternately, the heating tube barbecue time is 58%, suitable for roasting whole chicken or duck.

USING THE ACCESSORIES

! WARNING!

Refer to the safety chapters.

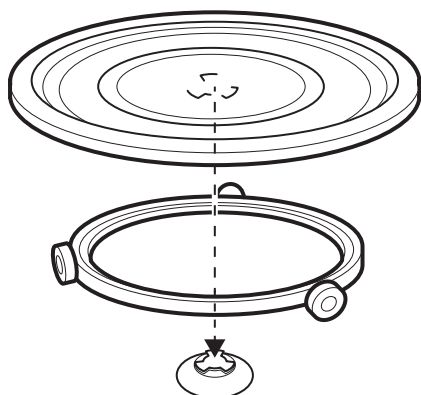
! CAUTION!

Do not cook food without the turntable set. Use only the turntable set provided with the appliance.

i

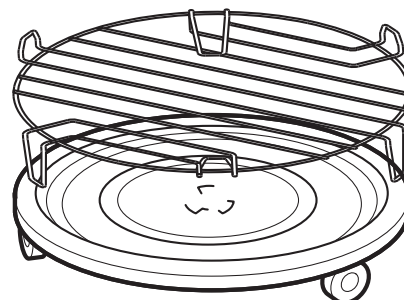
Never cook food directly on the glass cooking tray.

Inserting the turntable set



1. Place the roller guide around the turntable shaft.
2. Before first use remove the tape from the centre of the turntable shaft.
3. Place the glass cooking tray on the roller guide.

Inserting the grill rack



Place the grill rack on the turntable set.

! WARNING!

The wire grill rack is not suitable for use on microwave only mode, it can be used on grill, convection and combi (includes short burst of microwave, which is ok) cooking modes only. Using this wire grill rack on microwave only mode may cause damage to the appliance.

HELPFUL HINTS AND TIPS

Power setting table

| Problem | Remedy |
|--|---|
| You cannot find details for the amount of food prepared. | Look for a similar food. Increase or shorten the length of the cooking times according to the following rule: Double the amount = almost double the time, Half the amount = half the time |
| The food got too dry. | Set shorter cooking time or select lower microwave power. |
| The food is not defrosted, hot or cooked after the time came to an end. | Set longer cooking time or set higher power. Note that large dishes need longer time. |
| After the cooking time comes to an end, the food is overheated at the edge but is still not ready in the middle. | Next time set a lower power and a longer time. Stir liquids halfway through, e.g. soup. |

To get better results for rice use a flat, wide dish.

Defrosting

Always defrost roast with the fat side down. Do not defrost covered meat because this may cause cooking instead of defrosting. Always defrost whole poultry breast side down.

Cooking

Always remove chilled meat and poultry from the refrigerator at least 30 minutes before cooking. Let the meat, poultry, fish and vegetables stay covered after cooking.

Brush a little oil or melted butter over the fish. Add 30-45ml of cold water for every 250g of vegetables. Cut the fresh vegetables into even size pieces before cooking. Cook all vegetables with a cover on the container.

Reheating

When you reheat packed ready meals always follow the instructions written on the packaging.

Grilling

Grill flat food items in the middle of the grill rack. Turn the food over halfway through the set time and continue grilling.

CARE AND CLEANING



WARNING!

Refer to the safety chapters.

Notes on cleaning:

- To clean front panel fingerprint-resistant stainless steel simply wipe with a soft cloth using warm water and a mild detergent. DO NOT use stainless steel cleaners, abrasive cleaners or harsh solvents.
- Clean the appliance interior after each use. Then you can remove dirt more easily and it does not burn on.
- Clean stubborn dirt with a special cleaner.
- Clean all accessories regularly and let them dry. Use a soft cloth with warm water and a cleaning agent.
- To soften hard to remove remains, boil a glass of water at full microwave power for 2 to 3 minutes.
- To remove odours, mix a glass of water with 2 tsp of lemon juice and boil at full microwave power for 5 minutes.

TROUBLESHOOTING



WARNING!

Refer to the safety chapters.

| Problem | Possible cause | Remedy |
|---|--|--|
| The appliance does not operate. | The appliance is deactivated. | Activate the appliance. |
| | The appliance is not plugged in. | Plug in the appliance. |
| | The fuse in the fuse box is blown. | Check the fuse. If the fuse blows more than one time, contact a qualified electrician. |
| | The door is not closed properly. | Make sure that nothing blocks the door. |
| The lamp does not operate. | The lamp is defective. | The lamp has to be replaced. Contact the customer service centre. |
| There is sparking in the cavity. | There are metal dishes or dishes with metal trim. | Remove the dish from the appliance. |
| | There are metal skewers or aluminium foil that touches the interior walls. | Make sure that the skewers and foil does not touch the interior walls. |
| The turntable set makes scratching or grinding noise or does not rotate smoothly. | There is an object or dirt below the glass cooking tray. | Clean the area below the glass cooking tray including rollers. Check turntable roller assembly and glass are installed correctly. |
| The appliance stops operating without a clear reason. | There is a malfunction. | Check ventilation of the unit is not obstructed. If this situation repeats with correct installation call the customer service centre. |
| Microwave runs cooking cycle but food does not heat up. | Internal self-resetting thermostat has activated. The microwave is fitted with a thermostat to protect internal components from overheating. | Once the thermostat's temperature has reduced the unit should function normally. Wait 5 minutes then try the appliance again. |
| Steam accumulating on microwave oven door or leaking from vents. | Cooking foods with a high moisture content will always produce steam. | This is a normal part of the cooking process. |
| Smoke during cooking process. | Fat accumulated on cavity grill element. | Ensure inside of unit is cleaned regularly. |

If you cannot find a solution to the problem yourself, contact your dealer or the customer service centre.

The necessary data for the customer service centre is on the rating plate on the appliance.

We recommend that you write the data here:

Model (M)

.....

Product number (PNC)

.....

Serial number (S.N.)

.....

INSTALLATION OF EMG20K38GWP

! CAUTION!

Do not block the air vents. If you do that, the appliance can overheat.

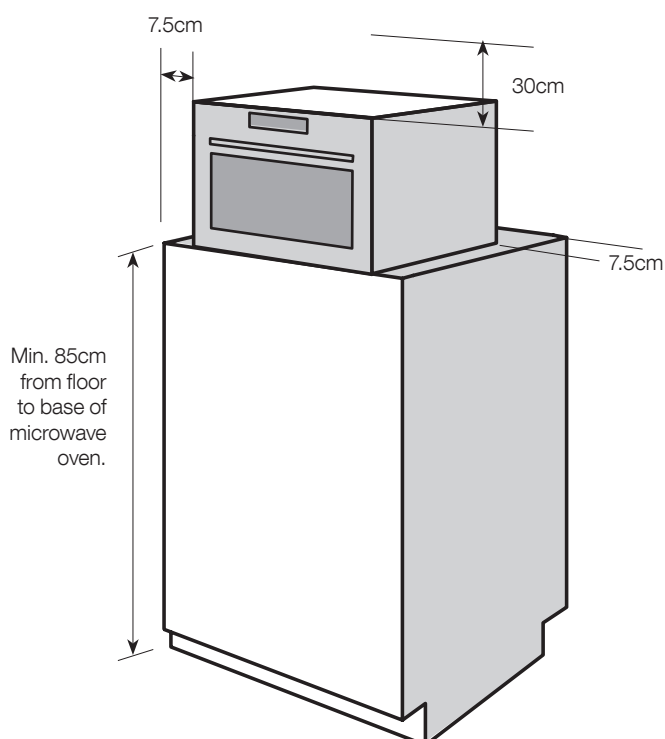
! CAUTION!

Do not connect the appliance to adapters or extension leads. This can cause overloading and risk of fire.

- Put the appliance far away from steam, hot air and water splashes.
- If the appliance is stored/ transported at sub-zero temperatures, do not activate it immediately after installation. Allow at least two hours for it to be brought up to room temperature before turning on the unit.

Installation

- Remove all packing material and any promotional material from the microwave oven.
- Examine the oven for any damage such as dents or a broken door. Do not install if the oven is damaged. Call the service centre.
- Remove the protective film on the oven cabinet surface. Do not remove the light brown Mica cover that is attached to the right-hand side of the oven cavity to protect the magnetron.
- Do not leave the packing material so that small children can play with it. This can be hazardous.
- Select a flat, level surface that provides enough open space for the intake and outlet vents and that is strong enough to bear the weight of the oven. A minimum clearance of 7.5cm is required between the oven and any adjacent walls. Leave a minimum clearance 30cm above the oven.



Blocking the intake or outlet vents can damage the oven. If air vents are blocked during operation, the oven may overheat, and this may lead to malfunctioning. Hot air escapes from the vents, so be sure not to obstruct it or let curtains come between the oven and the rear wall.

NOTE: It is recommended to have greater than 7.5cm clearance on at least one of the sides to improve product performance and operation.

- The oven should be placed in a stable position to avoid the possibility of causing vibration or noise.
- Do not remove the legs from the bottom of the oven.
- This oven should only be installed freestanding; not built-in or in a cabinet.
- Keep the oven away from heat and water. Exposure to heat and water can lower the efficiency and lead to malfunctioning.
- Place the oven as far away from radios and TV as possible. Operation of the oven may cause interference to your radio or TV reception.
- When there is interference, it may be reduced or eliminated by taking the following measures:
 - Clean door and sealing surface of the microwave oven.
 - Reorient the receiving antenna of the radio and/or television.
 - Move the microwave oven away from the receiver.
 - Plug the microwave oven into a different outlet so that microwave oven and receiver are on different branch circuits.
- Be sure the voltage and frequency where you connect the microwave oven is the same as specified on the rating plate on the microwave oven. If the microwave oven is connected to the socket via an extension cord, make sure the cord is earthed.

! WARNING!

If installed near or over a heat source, the microwave oven could be damaged.

! WARNING!

This microwave oven must not be used on a non-earth protected power supply. Contact an electrician if you are uncertain regarding electrical connection of the oven or provision of earth protection of the supply.

! WARNING!

If the power cord is damaged, it must be replaced by the manufacturer, its service agent or similarly qualified persons in order to avoid a hazard.

ELECTRICAL INSTALLATION



WARNING!

Only a qualified person must do the electrical installation.



The manufacturer is not responsible if you do not follow the safety precautions from the chapter "Safety Instructions".

This appliance is supplied with a main cable and main plug.



WARNING!

The microwave oven is fitted with a plug and must be only connected to a properly installed, earthed socket. In accordance with the appropriate regulations, the socket must only be installed and the connecting cable must only be replaced by a qualified electrician. If the plug is no longer accessible following installation an all-pole isolating switch must be present on the installation side with a contact gap of at least 3mm.

Customer care center

| | |
|--|---|
| <p>Thailand Consumer Care Tel : (+66 2) 725 9000 Electrolux Thailand Co., Ltd. Electrolux Building 14th Floor 1910 New Phetchaburi Road, Bangkapi, Huai Khwang, Bangkok 10310 Office Tel : (+66 2) 7259100 Office Fax : (+66 2) 7259299 Email : customercarethai@electrolux.com</p> | <p>Malaysia Consumer Care Center Tel: 1300-88-11-22 Electrolux Home Appliances Sdn. Bhd. Corporate Office Address: Unit T2-7, 7th Floor, Tower 2, PJ33, No. 3, Jalan Semangat, Seksyen 13, 46200 Petaling Jaya, Selangor. Office Tel : (+60 3) 7843 5999 Office Fax : (+60 3) 7955 5511 Consumer Care Center Address: Lot C6, No. 28, Jalan 15/22, Taman Perindustrian Tiong Nam, 40200 Shah Alam, Selangor Consumer Care Center Fax : (+60 3) 5524 2521 Email : malaysia.customercare@electrolux.com</p> |
| <p>Indonesia Hotline service: 08041119999 PT. Electrolux Indonesia Electrolux Building Jl.Abdul Muis No.34, Petojo Selatan, Gambir Jakarta Pusat 10160 Email:customercare@electrolux.co.id SMS & WA : 0812.8088.8863</p> | <p>Philippines Consumer Care Center Toll Free : 1-800-10-845-CARE(2273) Consumer Care Hotline : (+63 2) 845-CARE(2273) Electrolux Philippines, Inc. Unit B 12F Cyber Sigma Bldg, Lawton Avenue, McKinley West, Taguig, Philippines 1634 Trunkline: +63 2 737- 4757 Website : www.electrolux.com.ph Email : wecare@electrolux.com</p> |
| <p>Vietnam Consumer Care Center Toll Free: 1800-58-88-99 Tel: (+84 28) 3910 5465 Electrolux Vietnam Ltd. Floor 9th, A&B Tower 76 Le Lai Street - Ben Thanh Ward - District 1 Ho Chi Minh City , Vietnam Office Tel: (+84 28) 3910 5465 Office Fax: (+84 28) 3910 5470 Email: vncare@electrolux.com</p> | <p>Singapore Consumer Care Center Tel: (+65) 6727 3699 Electrolux S.E.A. Pte Ltd. 1 Fusionopolis Place, #07-10 Galaxis, West Lobby Singapore 138522. Office Fax : (+65) 6727 3611 Email : customer-care.sin@electrolux.com</p> |
| <p>Hongkong Service Hotline: (+852) 3193 9888 DCH Electrical Appliances Services Centre 5/F, DCH Building, 20 Kai Cheung Road, Kowloon Bay, Hong Kong</p> | |

RoHS
Compliant

Conformed to the stipulation on permissible content limitation of some hazardous & restricted chemical substances.
(RoHS compliant)

(According to the Circular No. 30/2011/TT-BCT, Vietnam, dated 10th August, 2011)

저희는 고객을 생각합니다.

Electrolux 전자 제품을 구입해 주셔서 감사합니다.
 본 Electrolux 전자 제품을 구입해 주셔서
 감사합니다. 수십 년의 전문 노하우와 혁신이
 담겨 있는 제품을 선택하셨습니다. 독창적이면서도
 스타일이 멋진 본 제품은 소비자를 염두에 두고
 디자인되었습니다. 따라서 제품을 사용할 때마다
 항상 훌륭한 결과를 기대하셔도 좋습니다.

Electrolux에 오신 것을 환영합니다.

www.electrolux.co.kr.

기기를 사용하기 전에

손상이나 자국이 있는지 확인하십시오. 기기에 손상 또는
 표시가 있는 경우, 손해 배상을 청구하려면 7일 이내에
 보고해야 합니다. 이것은 귀하의 법적 권리에는 영향을
 미치지 않습니다. 기기를 사용하기 전에 다음을
 권장합니다. 제품 및 기능에 대한 설명을 제공하는 전체
 사용자 설명서를 읽었습니다. 제품을 올바르게 설치하고
 오용 및 위험을 방지하기 위해 안전 지침을 주의 깊게
 읽는 것이 중요합니다.

나중에 참고할 수 있도록 이 소책자를 안전한 곳에
 보관하십시오.

이용 약관

이 기기는 가정 및 다음과 같은 유사한 환경에서 사용
 가능합니다.

- 상점, 사무실 및 다른 작업 환경.
- 호텔, 모텔 및 기타 숙박 시설.

전화하기 전에

사용 설명서를 완전히 읽어 주십시오. 추가 서비스 요금이
 적용될 수 있습니다.

모델 및 일련 번호 작성

모델 : _____

일련 번호 : _____

제조업체의 보증에 영향을 미칠 수 있는 중요 정보

설명서의 사용 지침은 건강과 안전을 위해 매우 중요합니다.
 이 설명서의 요구 사항은 제품과 함께 제공되는 Electrolux
 제조업체의 보증에 따라 개인 상해, 재산 피해 및 청구 능력에
 영향을 미치기 때문에 엄격히 준수해야 합니다. 제품은
 설명서에 따라 사용, 설치 및 작동해야 합니다. 설명서를
 준수하지 않아 제품 결함이 발생한 경우 Electrolux 제조업체의
 보증을 청구할 수 없습니다.

목차

| | |
|-----------------|----|
| 중요 안전 수칙..... | 13 |
| 안전 지시..... | 14 |
| 상품 설명..... | 15 |
| 부속품..... | 15 |
| 제어판..... | 15 |
| 매일 사용..... | 16 |
| 액세서리 사용..... | 18 |
| 유용한 힌트 및 팁..... | 18 |
| 관리 및 청소..... | 19 |
| 문제 해결..... | 19 |
| 설치..... | 20 |
| 전기 설치..... | 21 |
| 고객 관리 센터..... | 21 |

기호



경고!

이 기호는 개인 안전에 관한 정보를 나타냅니다.



주의!

이 기호는 제품 손상을 방지하는 방법에 대한 정보를
 나타냅니다.



중대한!

이 기호는 제품 사용에 대한 팁과 정보를 나타냅니다.



환경!

이 기호는 제품의 경제적 및 생태학적 사용에 대한 팁과 정보를
 나타냅니다.

폐기 정보



환경!

- 대부분의 포장재는 재활용이 가능합니다. 해당 지역의 재활용 수거 방식을 통해 처리하십시오.
- 이 제품을 폐기 처분 하려면 현지 당국에 연락하여 올바른 방법을 요청하십시오.

중요 안전 수칙

전자레인지를 효과적으로 활용하기 위해서 아래 지침들을 숙지해야 합니다. 주의 깊게 읽어 주시기 바랍니다. 향후 참고를 위해 이 사용자 설명서를 기기와 함께 보관하십시오. 도움이 필요하면 고객 관리 부서에 문의하십시오. 설명서를 준수하지 않은 경우 발생하는 건들에 대해서는 제조사는 책임을 지지 않습니다.

경고!

질식, 부상 또는 영구 장애의 위험이 있습니다.

- 이 기기는 신체적, 감각적, 정신적 능력이 저하된 사람이나 경험과 지식이 부족한 사람이 그들의 안전을 책임질 보호자의 감독 없이 사용하도록 제작되지 않았습니다.
- 어린이들이 기기를 가지고 놀지 않도록 관리 감독이 필요합니다.
- 모든 포장지를 아이들에게서 멀리하십시오.
- 어린이가 있는 경우, 기기에 어린이 안전장치가 있으면 활성화하는 것이 좋습니다.
- 경고: 부품은 사용 중에 뜨거워질 수 있습니다. 어린이들은 접근을 멀리해야 합니다.

주의!

중대한 안전 지침을 잘 읽고 나중에 참조할 수 있도록 보관하십시오.

일반 안전

- 내부적으로 작동 중일 때 뜨거워집니다. 기기에 있는 발열체를 만지지 마십시오. 항상 오븐 장갑 등의 장비를 사용하거나, 오븐 용기를 사용하세요.
- 제품을 청소할 때 스팀 청소기를 사용하지 마십시오.
- 유지 보수 전에 전원 공급 장치를 분리하십시오.
- 문이나 문 고정 장치가 손상되었을 경우, 수리되기 전까지 사용하지 마십시오.
- 이 기기는 외부 타이머 또는 별도의 원격 제어 시스템을 사용하여 작동할 수 없습니다.
- 전문가가 아닌 사람이 마이크로파 노출 보호를 위한 덮개를 제거하는 점검이나 수리 등의 작업을 하는 것은 위험할 수 있습니다.
- 폭발의 우려가 있기 때문에 액체와 기타 음식은 밀봉된 용기에 데우지 마십시오.
- 전자레인지 사용에 알맞은 용기만 용하십시오.

- 플라스틱이나 종이 용기에 담긴 음식을 가열할 때는 발화 가능성이 있으므로 기기를 주시하십시오.
- 이 기기는 음식과 음료를 데우기 위한 것입니다. 음식이나 옷을 말리고 보온 패드, 솔리퍼, 스펀지, 젖은 천 등을 가열하면 부상, 발화 또는 화재의 위험이 있습니다.
- 만약 연기가 발생한다면, 기기의 전원을 끄고 플러그를 뽑은 후, 불꽃이 나지 않도록 문을 닫아두십시오.
- 음료를 데울 경우 끓어넘치기 쉬우니 용기를 다룰 때 세심한 주의가 필요합니다.
- 젖병과 이유식 병에 담긴 내용물은 흔들리거나 섞일 수 있습니다. 또한 화상을 예방하기 위해 섭취 전에 온도를 체크하십시오.
- 껍질이 있는 달걀이나 완숙된 달걀은 전자레인지로 데운 이후에도 폭발의 우려가 있으므로 데우지 마십시오.
- 정기적으로 청소해야 하며 모든 음식 퇴적물을 제거하십시오.
- 이 전자레인지가 청결한 상태로 유지되지 않는다면, 표면의 품질이 저하되며 이는 전자레인지의 수명과 안전에 악영향을 줄 수 있습니다.
- 사용 중에는 기기와 기기의 접근 가능한 부분이 뜨거워질 수 있습니다.
- 이 기기는 독립형 장치로 설계되었습니다. 장식용 문 뒤에 설치하거나 캐비닛 안에 놓지 않도록 하십시오. 이 설명서의 설치 요구 사항을 따르십시오.
- 거친 연마 성 세제 나 날카로운 금속 스크레이퍼를 사용하여 유리 문을 닦지 마십시오. 표면이 긁혀 유리가 깨질 수 있습니다.
- 전원 코드가 손상된 경우 위험을 방지하기 위해 제조업체 또는 공인 서비스 대리점 또는 유사 자격을 갖춘 사람이 교체해야 합니다.

주의!

과열 차단기의 부주의 한 재설정으로 인한 위험을 방지하려면 타이머와 같은 외부 스위치 장치를 통해 이 기기를 공급하거나 유틸리티에서 정기적으로 켜고 끄는 회로에 연결해서는 안 됩니다.

경고!

램프를 교체할 때는 감전의 위험이 있기 때문에 기기의 전원을 끄십시오.

주의!

작동 중 내부 혹은 발열체에 이물질 혹은 기름이 남아 있는 경우, 연기 또는 냄새가 발생할 수 있습니다. 이것은 정상이며 반복 사용 후에는 중단됩니다. 다음과 같이 진행하는 것이 좋습니다.

- 요리를 하지 말고, 그릴 모드를 켜고 기기를 여러 번 작동하도록 합니다.
- 충분한 환기를 합니다.

안전 지시

설치



경고!

자격을 갖춘 사람 만이 기기를 설치해야 합니다.

- 모든 포장을 제거하십시오.
- 손상된 기기를 설치하거나 사용하지 마십시오.
- 제공된 설치 지침을 따르십시오.
- 무겁기 때문에 기기를 이동할 때는, 항상 안전 장갑을 착용하고 주의를 기울이십시오.
- 다른 기기와의 최소 거리를 유지하십시오.

전기 연결



경고!

화재 및 감전의 위험이 있습니다.

- 이 기기는 표준 10A 전원 소켓에 연결하기에 적합한 전원 코드 및 10A 전원 플러그와 함께 제공됩니다. 전원 소켓을 설치해야 하는 경우 적절한 자격을 갖춘 전기 기술자가 설치해야 합니다.
- 기기는 접지되어야 합니다.
- 명판의 전원 공급 장치와 일치하는지 전기 정보를 확인하십시오. 그렇지 않은 경우 전기 기사에게 문의하십시오.
- 설치가 끝날 때만 전원 플러그를 전원 소켓에 연결하십시오. 설치 후 전원 플러그가 연결되었는지 확인하십시오.
- 전원 플러그와 전원 케이블에 손상을 주지 않도록 하십시오. 손상된 전원 케이블을 교체하려면 서비스 센터 또는 전기 기사에게 문의하십시오.
- 기기를 분리하기 위해 전원 케이블을 당기지 마십시오. 항상 전원 플러그를 뽑으십시오.

사용



경고!

부상, 화상 또는 감전 또는 폭발의 위험이 있습니다.

- 가정에서 사용하세요.
- 이 기기의 사양을 변경하지 마십시오.
- 환기구가 막히지 않았는지 확인하세요.
- 작동 중에는 기기를 방치하지 마십시오.
- 열린 문에 압력을 가하지 마십시오.
- 전자레인지용 저장고의 용도로 사용하지 마십시오. 빵, 쿠키와 같은 물건들을 전자레인지 안에 보관하지 마십시오.
- 음식 없이 기기를 작동하지 마십시오.
- 철사나 금속이 포함된 용기를 사용하지 마십시오.

관리 및 청소



경고!

부상, 화재 또는 제품 손상의 위험이 있습니다.

- 유지 관리 전에 기기를 끈 후, 전원 소켓에서 전원 플러그를 분리하십시오.
- 음식물 등의 잔여물이 열화 되지 않도록, 제품을 정기적으로 청소하십시오.
- 문 고정 장치 표면에 흘린 음식이나 세제 잔여 물이 쌓이지 않도록 하십시오.
- 기기에 남아있는 지방이나 음식은 특히 그릴 요소에서 연기 / 화재를 일으킬 수 있습니다.
- 촉촉하고 부드러운 천으로 제품을 청소하십시오. 중성 세제 만 사용하십시오. 연마 제품, 연마성 클리닝 패드, 용액 또는 금속 물체를 사용하지 마십시오.
- 이 기기를 청소할 때 스팀 청소기를 사용하지 마십시오.

처분



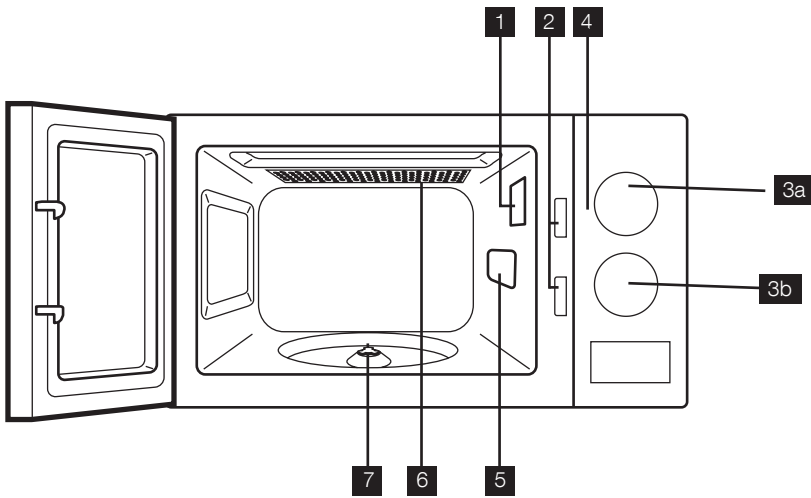
경고!

부상 또는 질식의 위험이 있습니다.

- 전원 공급 장치에서 기기를 분리 하십시오.
- 전원 케이블을 잘라 버리십시오.

제품 설명

제어 판

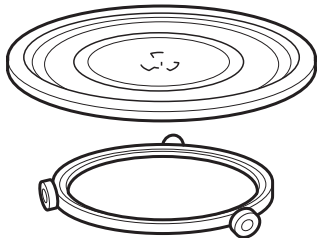


- 1 램프
- 2 안전 인터락 시스템
- 3a 파워 레벨 손잡이
- 3b 타이머 손잡이
- 4 제어판
- 5 갈색 운모 덮개
- 6 그릴
- 7 턴테이블 받침 축

부속품

턴테이블 세트

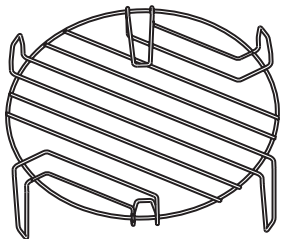
유리 턴테이블과 턴테이블 링



항상 턴테이블 세트를 사용하세요.

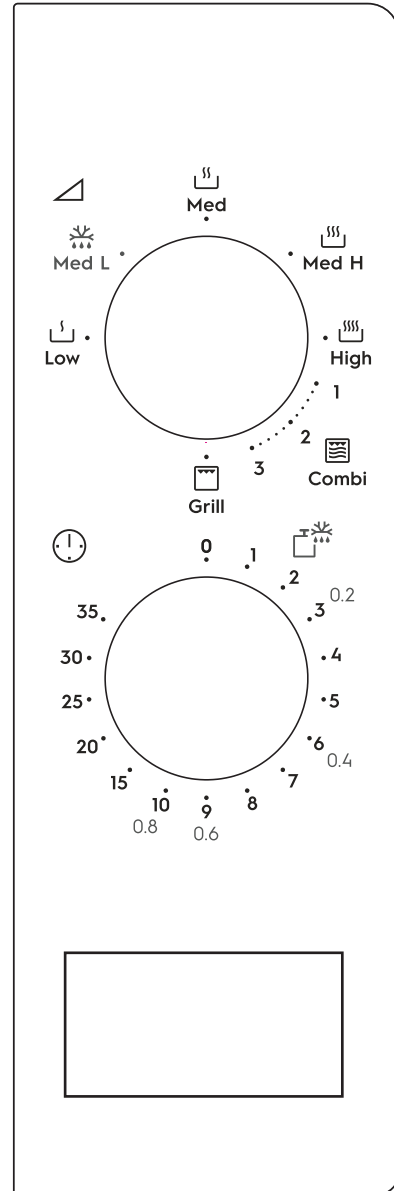
그릴 랙

굽는 음식과 콤비 요리 용.



! 경고!

그릴 랙은 전자레인지 전용 모드에서 사용하기에 적합하지 않습니다. 그릴 및 콤비(짧은 전자레인지 사용 가능) 요리 모드에서만 사용할 수 있습니다. 전자레인지 전용 모드에서 그릴 랙을 사용하면 기기가 손상될 수 있습니다.



매일 사용

적합한 조리기구 및 재료

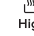



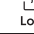
| 조리기구 / 재료 | 전자레인지 | | | 그릴 |
|---|-------|----|----|----|
| | 해동 | 난방 | 조리 | |
| 오븐용 유리 및 자기 (금속 성분 없음, 예 : 파이렉스 , 내열 유리) | ■ | ■ | ■ | ■ |
| 비 오븐용 유리 및 도자기 ¹⁾ | ■ | - | - | - |
| 유리 및 글라스 세라믹 오븐 / 서리 방지 재료 (예 : Arcoflam), 그릴 선반 | ■ | ■ | ■ | ■ |
| 세라믹 ²⁾ , 토기 ²⁾ | ■ | ■ | ■ | - |
| 내열성 플라스틱 최대 200°C ³⁾ | ■ | ■ | ■ | - |
| 판지, 종이 | ■ | - | - | - |
| 비닐 랩 | ■ | - | - | - |
| 전자레인지 안전 잠금 장치가 있는 로스팅 필름 ³⁾ | ■ | ■ | ■ | - |
| 금속으로 만든 로스팅 요리, 예. 에나멜, 주철 | - | - | - | ■ |
| 베이킹 통, 블랙 레커 또는 실리콘 코팅 ³⁾ | - | - | - | ■ |
| 베이킹 트레이 | - | - | - | ■ |
| 브라우닝 조리기구 (예: 크리스피 팬 또는 크런치 플레이트) | - | ■ | ■ | - |
| 포장 된 즉석식품 ³⁾ | ■ | ■ | ■ | ■ |

- 1) 은, 금, 백금 없음 또는 금속 도금 / 장식
- 2) 석영 또는 금속 및 유약 없는 재질
- 3) 최대 온도에 대한 제조업체의 지침을 따라야 합니다


- 적당함
- 적합하지 않음

매일 사용 경유

전력 설정 테이블

| | | |
|---|------------|------------|
|  High | 100% 전력 사용 | (빠른 시간 조리) |
|  Med H | 77% 전력 사용 | (평균 시간 조리) |
|  Med | 55% 전력 사용 | (느린 시간 조리) |
|  Med L | 33% 전력 사용 | (해동) |
|  Low | 17% 전력 사용 | (보온) |

해동

1. 손잡이를  Med L로 돌려주세요.
2. 적절한 시간을 선택하십시오.

참고 : 원하는 시간이 3분 미만이면 타이머 손잡이를 3분 이상 위치로 돌린 다음 원하는 시간 설정으로 돌아갑니다.



3. 원하는 시간이 설정되면 요리가 시작됩니다. 중간에 일시 정지가 필요한 경우 언제든지 문을 열고 닫으면 작동이 재개됩니다.
4. 시간이 초과되고 요리가 끝나면 전자레인지에서 벨 링이 생성되고 내부 램프도 자동으로 꺼집니다.

참고 : 시간이 초과되기 전에 음식을 제거하는 경우 타이머를 "0" 위치로 다시 설정해야 합니다. 이렇게 하면 전자레인지가 빈 상태에서 작동하지 않습니다.

다음은 식품 해동 시간에 대한 조언입니다 .

| | 무게 | 제상 시간 |
|-----|-------------|------------------|
| 고기 | 0.1 ~ 1.0kg | 1 : 30 ~ 26 : 00 |
| 가금류 | 0.2 ~ 1.0kg | 2 : 30 ~ 22 : 00 |
| 해물 | 0.1 ~ 0.9kg | 1 : 30 ~ 14 : 00 |

그릴 또는 콤비 요리

1. 손잡이를  Combi /  Grill 돌려주세요.
2. 적절한 시간을 선택하십시오.

전력 수준 설정 :

1. 그릴 : 조리 중 가열관으로 조리하며 로스트 소시지, 닭 날개, 돼지갈비, 고기 및 기타 얇은 조각 음식에 적합합니다.
2. Combi 1 : 전자레인지와 가열관 그릴을 번갈아 가며 그릴 시간은 82 % 로 갈비, 샌드위치 등에 적합합니다.
Combi 2 : 전자레인지와 가열관 그릴을 번갈아 가며 그릴 시간은 71 % 입니다. 닭고기 나 육류를 통째로 굽는 데 적합합니다.
Combi 3 : 전자레인지와 가열관 그릴을 번갈아 가며 그릴 시간은 58 % 로 전체 닭고기 또는 오리 로스팅에 적합합니다.

액세서리 사용

! 경고!

안전 지침을 참조하십시오.

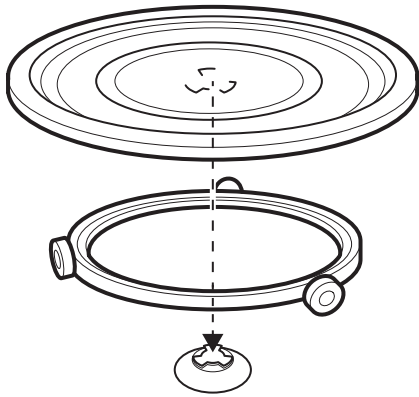
! 주의!

턴테이블 세트 없이 음식을 조리하지 마십시오.
기기와 함께 제공된 턱테이블 세트만 사용하십시오.

i

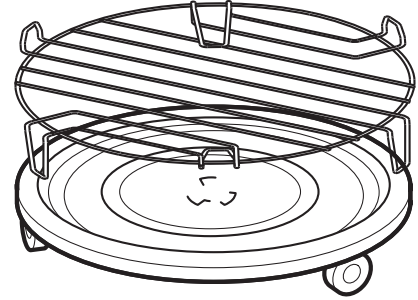
유리 조리대에서 직접 음식을 조리하지 마십시오.

턴테이블 세트 삽입



1. 턱테이블 받침 축 주변에 턱테이블 링 부품을 놓으세요
2. 처음 사용하기 전에 턱테이블 받침 축 중앙에서 테이프를 제거하십시오.
3. 턱테이블 링 부품 위에 턱테이블을 올리세요.

그릴 랙 삽입



테이블 세트위에 그릴 랙 배치

! 경고!

와이어 그릴 랙은 전자레인지 전용 모드에서 사용하기에 적합하지 않습니다. 그릴, 대류 및 콤비 (짧은 전자레인지 사용 가능) 요리 모드에서만 사용할 수 있습니다. 전자레인지 전용 모드에서 이 와이어 그릴 랙을 사용하면 기기에 손상이 갈 수 있습니다.

유용한 힌트 및 팁

전원 설정 테이블

| 문제 | 해결방법 |
|---|--|
| 준비된 음식의 양에 대한 세부 정보를 찾을 수 없습니다. | 비슷한 음식을 찾으십시오. 다음 규칙에 따라 조리 시간을 늘리거나 줄입니다. 양의 두 배 = 시간 약 두 배, 양의 절반 = 시간 약 절반 |
| 음식이 너무 건조해졌습니다. | 조리 시간을 더 짧게 설정하거나 낮은 전자레인지 전력을 선택하세요. |
| 음식이 해동되지 않거나 뜨겁거나 조리되지 않습니다. | 조리 시간을 길게 설정하거나 더 높은 전력을 설정하세요. 양이 많은 요리는 시간이 더 필요합니다. |
| 조리 시간이 끝나면 음식의 가장자리가 과열되었지만 여전히 중간은 제대로 조리되지 않았습니다. | 다음에는 더 낮은 전력과 더 긴 시간을 설정하십시오. 예를 들어 수프와 같은 같은 액체는 반쯤 저어줍니다. |

더 나은 결과를 얻으려면 평평하고 넓은 접시를 사용하십시오.

해동

항상 지방이 아래로 향하도록 로스트를 해동하십시오. 커버를 덮어 고기를 해동하지 마십시오. 해동이 아닌 요리가 진행될 수 있습니다. 항상 전체 가금류 가슴 쪽을 아래로 해동하십시오.

조리

항상 조리하기 최소 30 분 전에 냉장 고기와 가금류를 냉장고에서 꺼내십시오. 요리 후에는 육류, 가금류, 생선 및 야채 야채를 덮어 두십시오.
생선 위에 약간의 기름이나 녹인 버터를 바르십시오. 야채 250g 당 30- 45ml의 냉수를 추가합니다. 조리하기 전에 신선한 야채를 균일 한 크기로 자릅니다. 용기에 뚜껑을 덮고 모든 야채를 요리하십시오.

재가열

포장된 즉석식품을 재가열 할 때 항상 포장에 적힌 지침을 따라주세요.

굽기

그릴 선반 중앙에 음식물을 평평하게 굽습니다. 설정된 시간의 중간에 음식을 뒤집고 계속 굽습니다.

관리 및 청소



경고!

안전 지침을 참조하십시오.

청소에 대한 참고 사항 :

- 전면 지문 방지 스테인리스 스틸 패널을 청소하려면 따뜻한 물과 중성 세제를 사용하여 부드러운 천으로 간단히 닦으십시오. 스테인리스 스틸 클리너, 연마 성 클리너 또는 강한 용제를 사용하지 마십시오.
- 사용 후 기기 내부를 청소하십시오. 그럼 먼지를 더 쉽게 제거할 수 있고 타지 않습니다.
- 특수 클리너로 잘 지워지지 않는 먼지를 청소하십시오.
- 모든 액세서리를 정기적으로 청소하고 말리십시오. 따뜻한 물과 세제를 문힌 부드러운 천을 사용하세요.
- 제거하기 어려운 잔해를 부드럽게 하려면 2 ~ 3 분 동안 최대 전자레인지 전력으로 물 한 잔을 끓이세요.
- 냄새를 제거하려면 물 한 컵에 레몬주스 2 작은 티스푼을 섞은 다음 전자레인지에서 5 분 돌려주세요.

문제 해결



경고!

안전을 참조하십시오.

| 문제 | 가능한 원인 | 해결방법 |
|--|---|--|
| 기기가 작동하지 않습니다. | 기기가 비활성화되었습니다. | 기기를 활성화하십시오. |
| | 기기가 연결되어 있지 않습니다. | 기기를 연결하십시오. |
| | 퓨즈 박스의 퓨즈가 끊어졌습니다. | 퓨즈를 확인하십시오. 퓨즈가 두 번 이상 끊어지면 전문 전기 기술자에게 문의하십시오. |
| | 문이 제대로 닫히지 않았습니다. | 문을 막는 것이 없는지 확인하십시오. |
| 램프가 작동하지 않습니다. | 램프에 결함이 있습니다. | 램프를 교체해야 합니다. 고객 서비스 센터에 연락하세요. |
| 내부에 스파크가 발생합니다. | 금속 접시 또는 금속 성분이 있는 접시가 있습니다. | 기기에서 접시를 제거합니다. |
| | 금속 꼬치 나 알루미늄, 내부 벽에 닿는 호일이 있습니다. | 꼬치와 호일이 내부 벽을 건드리지 않게 조치하세요. |
| 턴테이블 세트가 굽힘 또는 갈리는 소리를 내거나 부드럽게 회전하지 않습니다. | 턴테이블 아래에 물건이나 먼지가 있습니다. | 롤러를 포함한 유리 트레이 아랫부분을 청소합니다. 턴테이블 롤러와 유리 턴테이블아 올바르게 설치되어 있는지 확인하세요. |
| 기기가 명확한 이유 없이 작동을 멈춥니다. | 기기의 오작동이 있습니다. | 환기 장치가 막히지 않았는지 확인하십시오. 올바른 설치를 하였는데도 상황이 반복되는 경우, 고객 서비스 센터에 문의하세요. |
| 전자레인지가 실행되나, 음식은 가열되지 않습니다. | 전자레인지에는 내부 구성 요소가 과열되지 않도록 보호하는 온도 조절기가 활성화되었습니다. | 온도 조절기의 온도가 내려간 후, 장치가 정상적으로 작동해야 합니다. 5 분간 기다린 후 기기를 다시 시도하십시오. |
| 전자레인지 문에 증기가 쌓이거나 통풍구에서 누출됩니다. | 수분 함량이 높은 음식을 조리하면 항상증기가 발생합니다. | 이것은 정상적인 요리 과정에서 발생하는 현상입니다. |
| 조리 과정에서 연기. | 캐비티 그릴 요소에 축적된 지방. 장치 내부를 정기적으로 청소하십시오. | |

문제에 대한 해결책을 직접 찾을 수 없는 경우 대리점이나 고객 서비스 센터에 문의하십시오.
기기의 명판에 고객 서비스 센터에 필요한 데이터가 있습니다.

모델 (M)
제품 번호 (PNC) 일련
번호 (SN)

설치 EMG20K38GWP

! 주의!

통풍구를 막지 마십시오. 기기가 과열될 수 있습니다.

! 주의!

기기를 어댑터 또는 확장 리드에 연결하지 마십시오. 이로 인해 과부하 및 화재 위험이 발생할 수 있습니다.

- 기기를 증기, 뜨거운 공기 및 물이 튀는 장소에서 멀리 설치하세요.
- 기기를 영하의 온도에서 보관 / 운송하는 경우 설치 후 즉시 활성화하지 마십시오. 기기를 켜기 전에 실내 온도 수준이 될 때까지 2 시간 이상 기다리십시오.

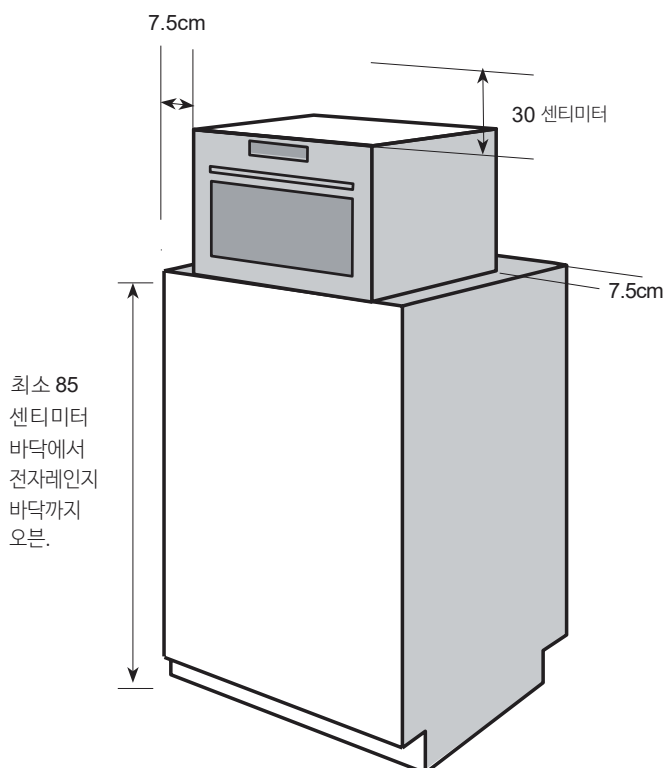
설치

- 전자레인지에서 모든 포장재와 판촉물을 제거하십시오.
- 움푹 들어간 곳이나 깨진 문과 같은 손상이 있는지 오븐을 검사하십시오. 오븐이 손상된 경우 설치하지 마시고, 서비스 센터에 연락하세요.
- 오븐 캐비닛 표면의 보호 필름을 제거하십시오. 오븐 오른쪽에 부착된 밝은 갈색 운모 덮개를 제거하지 마십시오. 마그나 트론을 보호하기 위한 장치입니다.
- 어린아이들이 가지고 놀 수 있는 포장재를 방지하지 마십시오. 이것은 위험할 수 있습니다.
- 통풍구에 충분한 공간 확보와 오븐의 무게를 지탱할 수 있을 만큼 강한 표면이 필요합니다. 오븐과 인접한 벽 사이에 최소 7.5cm의 간격이 필요합니다. 전자레인지 위로는 최소 30cm 이상 비워놓으십시오.

흡입구 또는 배출구를 막으면 오븐이 손상될 수 있습니다. 작동 중에 통풍구가 막히면 오븐이 과열되어 오작동을 일으킬 수 있습니다. 통풍구에서 뜨거운 공기가 빠져나가므로 통풍구를 막거나 오븐과 후면 벽 사이에 커튼이 들어가지 않도록 하십시오.

참고 : 제품 개선을 위해 적어도 한쪽 면에 7.5cm 이상의 간격을 두는 것이 좋습니다.

- 진동이나 소음이 발생하지 않도록 오븐을 안정된 위치에 두어야 합니다.
- 오븐 바닥에서 다리를 제거하지 마십시오.
- 이 오븐은 독립형으로 설치해야 합니다. 빌트인 설치 혹은 캐비닛 내부에 설치하지 마십시오.
- 오븐을 열과 물에서 멀리하십시오. 열과 물에 노출되면 효율성이 저하되고 오작동이 발생할 수 있습니다.
- 한 라디오와 TV에서 오븐을 멀리 두십시오. 오븐을 작동하면 라디오 또는 TV 수신에 간섭이 발생할 수 있습니다.
- 라디오와 TV에 작동 방해가 있는 경우 다음 조치를 취하여 현상을 줄이거나 제거할 수 있습니다.
 - 라디오와 TV의 수신 안테나 방향을 바꿉니다.
 - 수신기에서 전자레인지를 멀리 이동하십시오.
 - 전자레인지와 수신기가 서로 다른 콘센트에 연결하세요.
- 전자레인지를 연결하는 전압과 주파수가 전자레인지의 명판에 지정된 것과 동일한 지 확인하십시오. 연장 코드를 통해 전자레인지를 소켓에 연결 한 경우 코드가 접지되었는지 확인하십시오.



! 경고!

열원 근처 또는 위에 설치하면 전자레인지가 손상될 수 있습니다.

! 경고!

이 전자레인지는 비 접지 전원 공급 장치에 사용해서는 안 됩니다. 오븐의 전기적 연결이나 전원의 접지 보호 제공에 대해 확실하지 않은 경우 전기 기술자에게 문의하십시오.

! 경고!

전원 코드가 손상된 경우 위험을 방지하기 위해 제조업체, 서비스 대리점 또는 유사한 자격을 갖춘 사람이 교체해야 합니다.

전기 설치



경고!

자격을 갖춘 사람이 전기 설치를 해야 합니다.



제조업체는 다음과 같은 경우 책임을 지지 않습니다. "안전 지침"장의 안전 예방 조치를 따르지 않습니다.

이 기기는 메인 케이블과 메인 플러그가 제공됩니다.



경고!

전자레인지에는 플러그가 장착되어 있으며 올바르게 설치된 접지 소켓에만 연결해야 합니다. 해당 규정에 따라 소켓만 설치해야 하며 연결 케이블은 자격을 갖춘 전기 기술자만 교체해야 합니다. 모든 극 절연 스위치는 최소 3mm의 접촉 간격으로 설치 측에 있어야 합니다.

고객 케어 센터

| | |
|--|---|
| <p>Thailand Consumer Care Tel : (+66 2) 725 9000 Electrolux Thailand Co., Ltd. Electrolux Building 14th Floor 1910 New Phetchaburi Road, Bangkapi, Huai Khwang, Bangkok 10310 Office Tel : (+66 2) 7259100 Office Fax : (+66 2) 7259299 Email : customercarethai@electrolux.com</p> | <p>Malaysia Consumer Care Center Tel: 1300-88-11-22 Electrolux Home Appliances Sdn. Bhd. Corporate Office Address: Unit T2-7, 7th Floor, Tower 2, PJ33, No. 3, Jalan Semangat, Seksyen 13, 46200 Petaling Jaya, Selangor. Office Tel : (+60 3) 7843 5999 Office Fax : (+60 3) 7955 5511 Consumer Care Center Address: Lot C6, No. 28, Jalan 15/22, Taman Perindustrian Tiong Nam, 40200 Shah Alam, Selangor Consumer Care Center Fax : (+60 3) 5524 2521 Email : malaysia.customercare@electrolux.com</p> |
| <p>Indonesia Hotline service: 08041119999 PT. Electrolux Indonesia Electrolux Building Jl.Abdul Muis No.34, Petojo Selatan, Gambir Jakarta Pusat 10160 Email:customercare@electrolux.co.id SMS & WA : 0812.8088.8863</p> | <p>Philippines Consumer Care Center Toll Free : 1-800-10-845-CARE(2273) Consumer Care Hotline : (+63 2) 845-CARE(2273) Electrolux Philippines, Inc. Unit B 12F Cyber Sigma Bldg, Lawton Avenue, McKinley West, Taguig, Philippines 1634 Trunkline: +63 2 737- 4757 Website : www.electrolux.com.ph Email : wecare@electrolux.com</p> |
| <p>Vietnam Consumer Care Center Toll Free: 1800-58-88-99 Tel: (+84 28) 3910 5465 Electrolux Vietnam Ltd. Floor 9th, A&B Tower 76 Le Lai Street - Ben Thanh Ward - District 1 Ho Chi Minh City , Vietnam Office Tel: (+84 28) 3910 5465 Office Fax: (+84 28) 3910 5470 Email: vncare@electrolux.com</p> | <p>Singapore Consumer Care Center Tel: (+65) 6727 3699 Electrolux S.E.A. Pte Ltd. 1 Fusionopolis Place, #07-10 Galaxis, West Lobby Singapore 138522. Office Fax : (+65) 6727 3611 Email : customer-care.sin@electrolux.com</p> |
| <p>Hongkong Service Hotline: (+852) 3193 9888 DCH Electrical Appliances Services Centre 5/F, DCH Building, 20 Kai Cheung Road, Kowloon Bay, Hong Kong</p> | <p>Korea (대한민국) Service Hotline: (+82) 1566 1238 9th floor, 9F, Pine Avenue B 100 Eulji-ro, Jung-gu, Seoul 04551, Korea Website : https://www.electroluxconsumer.co.kr/</p> |

RoHS
Compliant

Conformed to the stipulation on permissible content limitation of some hazardous & restricted chemical substances.
(RoHS compliant)

(According to the Circular No. 30/2011/TT-BCT, Vietnam, dated 10th August, 2011)



품 질 보 증 서

| | |
|---------|----------------------------|
| 제 품 명 | 일렉트로룩스 전자레인지 20L |
| 모 델 명 | EMG20K38GWP |
| 구 입 일 | 년 월 일 |
| 판 매 자 | 상호 |
| | 성명 전화 |
| 보 증 기 간 | 구입일로부터 1년 (*제품 본체에 한함) |

- 본 제품은 일렉트로룩스사의 탁월한 기술과 철저한 품질관리로 생산되었으며, 엄격한 검사에 합격한 제품입니다.
- 소비자가 정상적인 사용 중 1년 이내에 제조사의 결함이나 자연발생적으로 고장이 생겼을 때에는 그 수리나 부품의 교환을 무상으로 해드릴 것을 보증합니다.
- 보증기간이 지났거나 보증기간 이내의 잘못된 사용이나 사고로 인한 제품 손상, 사용 부주의, 설치상의 잘못, 자의적 변경 및 수리, 영업용 목적의 사용, 제품설명서에 규정된 요건이나 규정의 미준수 등으로 인한 고장이나 성능 상 하자의 경우 제품 보증이 적용되지 않습니다. 또한 그릴과 같은 부속품에는 적용되지 않습니다.
- 고장이 아닌 경우 서비스를 요청하시면 요금을 받게 되므로 반드시 사용설명서를 읽어 주십시오.
- 사용 중 의문나는 사항이 있거나 서비스를 원하실 경우에는 당사 고객센터로 연락하시기 바랍니다.



Electrolux

수 입 판 매 원 : 일렉트로룩스 코리아(주)
서울특별시 중구 을지로100 파인에비뉴빌딩 B동 9층

고 객 센 터 : 1566 - 1238
www.electrolux.co.kr

소비자분쟁해결기준 안내

본 소비자 피해보상 규정은 공정위원회 거래고시에 준한다.

| | 소비자 피해보상 규정 | 보 상 내 역 | | |
|--|-------------------------------|-----------------------------|----------------|------|
| | | 보증기간 이내 | 보증기간 이후 | |
| 정상적인 상태에서 자연발생한 고장 시 (부품 보유기간 이내 시) | 구입 10일 이내 중요한 수리를 요하는 경우 | 제품 교환 또는 구입가 환불 | | |
| | 구입 1개월 이내 중요한 수리를 요하는 경우 | 제품 교환 또는 무상수리 | | |
| | 교환된 제품이 1개월 이내 중요한 수리를 요하는 경우 | 제품 교환 또는 구입가 환불 | | |
| | 제품 교환 불가능 시(보증기간 이내 제품 단종) | 구입가 환불 | | |
| | 수리 가능 | 구입 1개월 경과 후 고장이 난 경우 | 무상수리 | 유상수리 |
| | | 동일하자 3회까지 고장이 난 경우 | 제품교환 또는 구입가 환불 | 유상수리 |
| | | 서로 다른 하자 5회째 고장이 난 경우 | 제품교환 또는 구입가 환불 | |
| | 수리 불가능 시 | 제품교환 또는 구입가 환불 | | |
| | 제품의 부품 공급 불가로 서비스를 못할 시 | | | |
| | 소비자가 서비스 의뢰한 제품을 사업자가 분실한 경우 | | | |
| 제품 구입 시 운송과정 및 제품 설치 중 발생한 피해 | 제품교환 | | | |
| 소비자의 고의, 과실에 의한 성능, 기능 상의 고장 | 수리가 가능한 경우 | 유상수리 | 유상수리 | |
| | 수리가 불가능한 경우 | 유상수리에 해당하는 금액 징수 후 제품 교환 | | |
| <ul style="list-style-type: none"> • 천재지변(화재, 염해, 가스, 지진, 풍수해 등)에 의해 고장이 발생하였을 경우 • 사용상 정상적 마모되는 소모성 부품을 교환하는 경우 • 본체 외 액세서리 부품 • 사용 전원의 이상 및 접속 기기의 불량으로 인하여 고장이 발생하였을 경우 • 일렉트로룩스 코리아가 지정한 서비스센터의 엔지니어가 아닌 사람이 수리 또는 개조하여 발생하였을 경우 • 고객의 이사 등 사용자의 요청으로 이전 시 • 사용 설명, 조정, 위치 변경, 사용 환경 문제로 인한 서비스 • 고장이 아닌 경우 서비스를 요청하면 요금을 받게 되므로 반드시 사용설명서를 읽어주세요. | | 유상수리 | 유상수리 | |

본 제품은 대한민국에서만 사용하도록 만들어진 제품으로 AC220V, 60Hz에서 사용하시기 바랍니다.
 대한민국 외 타 국가에서 사용 시 당사 고객센터로 문의하시기 바랍니다.
 가정에서 사용하도록 만들어진 제품입니다. 가정용 의외 사업장에서 사용하지 마십시오.
 사용설명서 지시사항 미 준수로 발생한 서비스에 대해서는 비용이 발생합니다.
 음식물을 조리, 가공하는 제품의 부품은 음식물로 인한 자연적인 탈색 및 변색이 이루어질 수 있습니다.
 제품의 하자로 인한 반품, 환불은 구입처에서 가능하므로 구입처에 문의하시기 바랍니다.



